

Model AC300WR Redundant Power Supply/ System Monitor



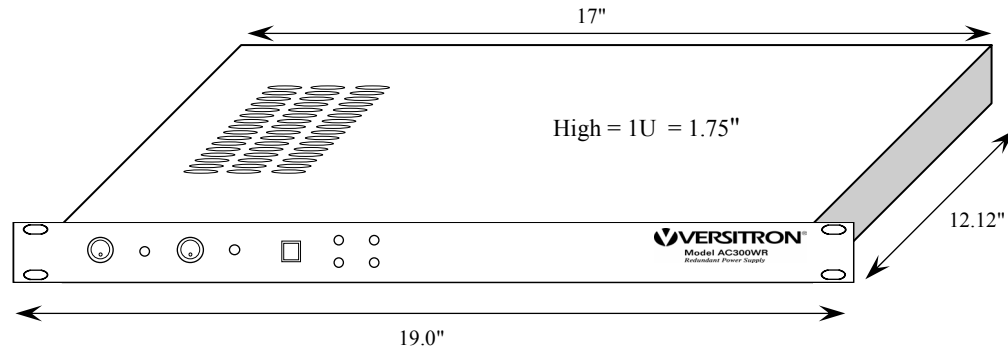
Rear View: AC300WR Chassis

GENERAL DESCRIPTION

The Model AC300WR Power Supply/System Monitor provides DC power to any VERSITRON FOM II fiber optic modem products when used with the Model HF-20A FOM II rack mount chassis. The power supply is designed for a redundant power configuration and includes provisions for alarm monitoring.

The Model AC300WR Power Supply/System Monitor is a 1U high 19" rack mountable unit designed to operate in a redundant power configuration in conjunction with the HF-20A chassis containing any of the FOM II series fiber-optic modems. It measures 1.75" (4.45cm) high x 19" (48.26cm) wide x 12.12" (30.78cm) deep. Model AC300WR has two 300 watt built-in power supplies connected in parallel for complete redundancy each with its own AC-INLET, ON/OFF switch, and a respective power LED. It also has two built-in alarm circuits with separate red LED's for low DC voltage alarm and for system alarm monitoring. In addition, Model AC300WR also has an RS-485/RS-422 interface on the back panel for low DC power alarm and for system alarm remote monitoring.

The front panel of the Model AC300WR contains three switches: POWER ON/OFF for each built-in power supply with embedded AC power ON green LEDs, and an Alarm Cut Off/Alarm Reset (ACO/RESET) switch. The front panel also contains six LED indicators: Power 1, Power 2, SYS OK, PS Alarm, SYS Alarm, and ACO.



AC300WR REDUNDANT POWER SUPPLY/SYSTEM MONITOR

MAIN FEATURES

Model AC300WR (300 Watt, Redundant Power Supply/System Monitor) has the following main features:

- Compact 1U Rack Mountable Size (1.75" H x 19" W x 12.12" D)
- 300 watts per power supply in redundancy @ 50amp. (max)
- Universal AC (Alternate Current) Input
- Filtered IEC AC Inlet Connectors
- EMI FCC Class B Clearance on Internal Power Devices
- Highly Efficient Design
- 1U Low Profile Height
- No Minimum Load Required
- RS485/RS422 Remote Management
- Low Voltage Power Supply Alarm
- System Alarm & RESET / ACO (Alarm Cut Off) Features

SPECIFICATIONS

Electrical

Output Voltage	12VDC
Output Ripple	Typical 100 mV
Output Current	25 Amps per power supply in redundancy
Output Power	300 Watt per power supply in redundancy
Total Output Power	600 Watt (300Watt per power supply)
Input Voltage	Universal 90VAC to 264VAC input (2 AC inlet plugs for complete redundancy)
Input Frequency	47Hz to 63Hz
Input AC Current	Approximately 3 Amps (continuous)
Remote Monitoring Interface	RS485/RS422

Note: The Model AC300WR is not intended for powering a total load of 600 watts.

Typical Internal Power Brick Safety Rating:

Designed in full compliance with	UL60950 CSA 22.2 No. 234 EN60950
EMI	EN55022 "Class B"
EMS	EN61000-4-2,-3,-4,-5,-6,-8,-11
Harmonics	EN61000-3-2 Class D

Environmental

Overload Protection	Auto-recovery
Functional Temperature	0 to 70 °C
Storage Temperature	-20 to 85 °C
Over voltage Type	Latch off
Efficiency	80-90% Typical

Physical

Dimensions	1U (1.75" H x 19" W x 12.12" D); (4.45cm x 48.26cm x 30.78cm)
Weight	13.25 lb. = 6.01kg = 212oz

VERSITRON, Inc.
83 Albe Drive / Suite C
Newark, DE 19702

Safeguarding Communications Since 1958